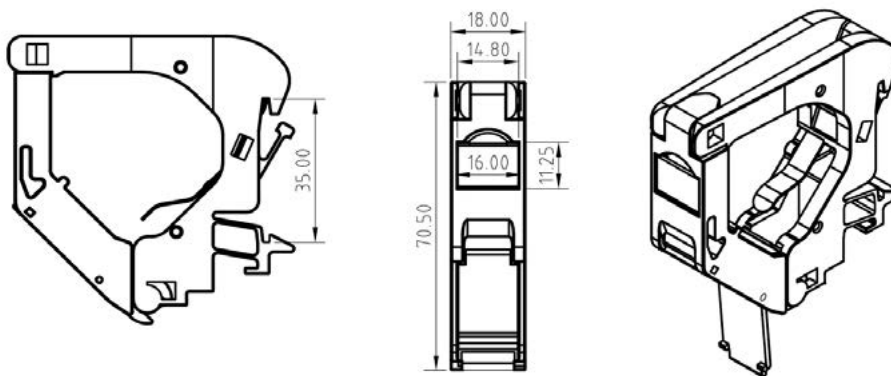
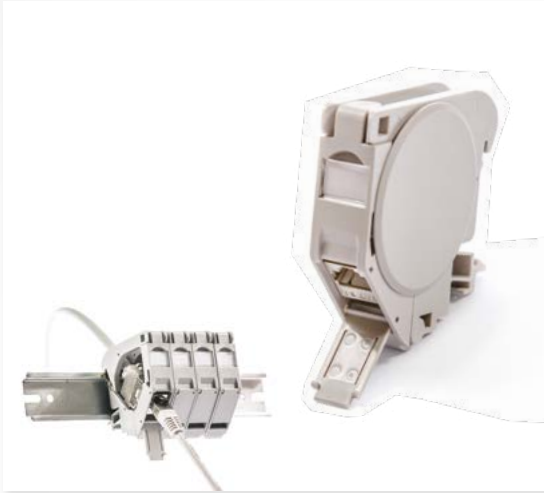


# DIN rail keystone holder

P/N: **HN-DIN-Cxxx**

## features

- 1 keystone jack included
- designed for DIN rails in residential and industrial electric distribution (home networking and industrial Ethernet)
- protected with a dust-proof shutter



## mechanical properties

Dimensions	hight	35 mm
	depth	7,5 mm
Color	gray RAL9075	
Surface	matt	

## related products

P/N: <b>KEJ-C6A-S-10G</b>	Keystone Jack, category 6 <sub>A</sub> , RJ45/s
P/N: <b>KEJ-C6A-S-HD</b>	Keystone Jack HD, category 6 <sub>A</sub> , RJ45/s
P/N: <b>KEJ-CEA-S-10G</b>	Keystone Jack, Category 6A / Class E <sub>A</sub> , shielded, RJ45/s
P/N: <b>KEJ-C6-S-TL</b>	Keystone Jack, category 6, shielded, RJ45/s
P/N: <b>KEJ-C6-U-TL</b>	Keystone Jack, category 6, unshielded, RJ45/u
P/N: <b>KEJ-C5E-S-TL</b>	Keystone Jack, category 5E, shielded, RJ45/s
P/N: <b>KEJ-C5E-U-TL</b>	Keystone Jack, category 5E, unshielded, RJ45/u