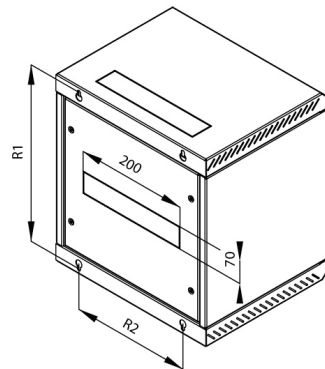
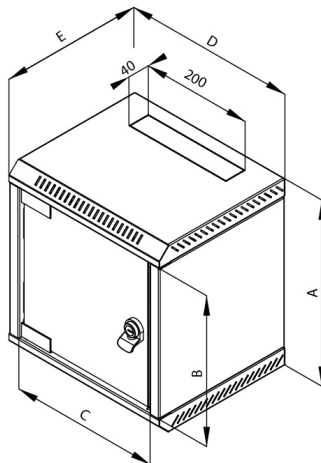


10" wall-mounted cabinets RBA



features

- welded construction with IP30 protection
- hardened smoked glass door (standard)
- solid steel door available upon request
- front vertical rails are continuously adjustable
- frame of the cabinet and all removable parts are connected with earthing cables
- cable openings covered with breakout-type blanking panels located at the top, bottom and rear part of the cabinet
- set of M6 screws and captive nuts (8 pcs)



Color	gray RAL7035
Surface	structured, matt

depth 260 mm, width 310 mm

		A (mm)	B (mm)	C (mm)	D (mm)	E (mm)	weight (kg)	capacity (kg)
10U	P/N: RBA-04-AS3-CAY-C1	248	169	255	310	260	5,4	20
10U	P/N: RBA-06-AS3-CAY-C1	337	258	255	310	260	6,9	20
10U	P/N: RBA-09-AS3-CAY-C1	470	391	255	310	260	8,2	20

related products

P/N: RAB-UP-X01-C1	10" shelf
P/N: RAB-VP-X02-C1	10" cable management panel
P/N: RAB-FO-X01-Cx	10" fibre optic box
P/N: RAB-PD-X90-C1	10" distribution panel, 4 x 230 V
P/N: RAB-PP-X01-C4	10" patch panel for 8xRJ45